

# **NewSentry® PVC Enclosures**

PVC

The NewSentry® Series is a range of corrosion resistant, watertight PVC enclosures featuring ten sizes of simple screw down covers. The enclosures are a perfect complement to fiberglass products when used as junction boxes and small auxiliary enclosures.

Each enclosure is assembled with a PVC gasket that ensures compatibility with the enclosure's substrate and, through cellular resiliency in stretching and compressing, enables longevity in the interaction between cover and gasket spanning a wide potential temperature range.

Mounting feet are integral on smaller sizes and included as add-ons with all larger enclosures. Captive brass cover screws meet threaded brass inserts to secure covers and provide assurance against wear and tear from repeated use.

NewSentry® series enclosures are designed for general electrical and electronic applications and any application that has associated environmental concerns.

## ***NewSentry® Series Attributes***

- Memory retaining continuous PVC gasket
- Threaded inserts and captive brass cover screws
- Corrosion resistant PVC material
- Integral mounting feet available on some models
- Available in ten classic sizes

## ***New Sentry® Industry Standards***

<b>UL/cUL 514B Fittings, 514C Boxes</b>	File E190961 Type 1, 2, 3, 4, 4X, 12, 13
<b>NEMA 250</b>	Type 1, 2, 3, 4, 4X, 12, 13
<b>GSA Std C22.2 No. 85</b>	File 207025 Type 1, 2, 3, 4, 4X, 12, 13
<b>Temperature Range</b>	(-4°F to +140°F) (-20°C to +60°C)
<b>Flammability Rating</b>	UL94-V0
<b>Self extinguishing</b>	Non-flame propagating
<b>Chemical Resistance</b>	Full chemical resistance charts listed in appendix



New Sentry®  
Series

PVC

# Technical Specifications - NewSentry® Series

*“PVC” configuration - 4 cover screws, lift off cover*



## PVC Construction

<b>Material</b>	Polyvinyl chloride (PVC)
<b>Gasket</b>	PVC seamless gasket provides watertight, dust-tight environmental seal
<b>Brass Screws</b>	Screw down to brass inserts
<b>Mounting Feet</b>	Built in on designated models. Add on feet available for other models
<b>Soft Edge Design</b>	Rounded edges, minimal protrusions or exposed pocket areas for assembly of dust and debris

## PVC Industry Standards

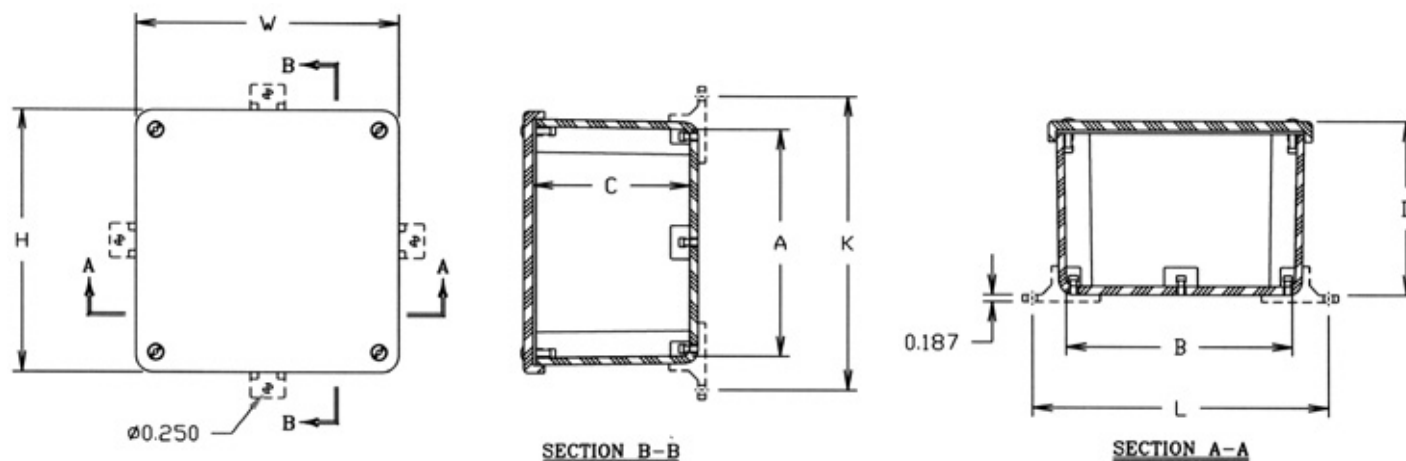
<b>UL/cUL 514B Fittings</b>	File E190961
<b>514C Boxes</b>	Type 1, 2, 3, 4, 4X, 12, 13
<b>NEMA 250</b>	Type 1, 2, 3, 4, 4X, 12, 13
<b>CSA Std C22.2 No. 85</b>	File 207025 Type 1, 2, 3, 4, 4X, 12, 13
<b>Temperature Range</b>	(-4°F to +140°F) (-20°C to +60°C)
<b>Flammability Rating</b>	UL94-V0
<b>Self Extinguishing</b>	Non-flame propagating
<b>Chemical Resistance</b>	Full chemical resistance charts listed in appendix

**NOTES:**

## PVC Modifications

<b>Silk Screening</b>	pg. 12 - 13
<b>Custom Cutouts/Holes</b>	pg. 12 - 13

NewSentry® Series Technical Drawings



PVC NewSentry® Series Enclosures						
SIZE ID NUMBER	OVERALL H X W X D	INSIDE A X B X C	K	L	F	SHIPPING WEIGHT
J442PVC*	4.03 x 4.03 x 2.42 (102 x 102 x 61)	3.66 x 3.66 x 2.00 (93 x 93 x 51)	4.63 (118)	N/A	8-32	0.60 lbs.
J444PVC	4.04 x 4.04 x 4.50 (103 x 103 x 114)	3.60 x 3.60 x 4.02 (91 x 91 x 102)	5.64 (143)	N/A	8-32	1.11 lbs.
J446PVC	4.02 x 4.02 x 6.58 (102 x 102 x 167)	3.59 x 3.59 x 6.02 (91 x 91 x 153)	5.49 (139)	N/A	8-32	1.40 lbs.
J552PVC*	5.00 x 5.00 x 2.33 (127 x 127 x 59)	4.61 x 4.61 x 1.85 (117 x 117 x 47)	5.66 (144)	N/A	8-32	0.90 lbs.
J664PVC	6.85 x 6.85 x 4.57 (174 x 174 x 116)	5.96 x 5.96 x 4.03 (151 x 151 x 102)	7.94 (202)	7.94 (202)	10.-32	2.12 lbs.
J666PVC	6.85 x 6.85 x 6.58 (174 x 174 x 167)	5.92 x 5.92 x 6.04 (150 x 150 x 153)	7.96 (202)	7.96 (202)	10-32	2.72 lbs.
J884PVC	8.96 x 8.96 x 4.62 (228 x 228 x 117)	8.05 x 8.05 x 4.06 (204 x 204 x 103)	10.49 (266)	10.49 (266)	1/4-20	3.77 lbs.
J887PVC	9.15 x 9.15 x 7.65 (232 x 232 x 195)	8.02 x 8.02 x 7.06 (204 x 204 x 179)	10.49 (266)	10.49 (266)	1/4-20	5.10 lbs.
J12124PVC	12.94 x 12.94 x 4.70 (329 x 329 x 119)	11.92 x 11.92 x 4.00 (303 x 303 x 102)	14.46 (367)	14.46 (367)	1/4-20	8.50 lbs.
J12126PVC	12.94 x 12.94 x 6.64 (329 x 329 x 169)	11.91 x 11.91 x 6.00 (303 x 303 x 152)	14.46 (367)	14.46 (367)	1/4-20	9.25 lbs.

All measures are in inches, items in parentheses are in millimeters.

- F = Threaded brass insert size.
- \* Denotes molded in mounting feet.